



VEGA LED

SPARES MANUAL

ISSUE 1

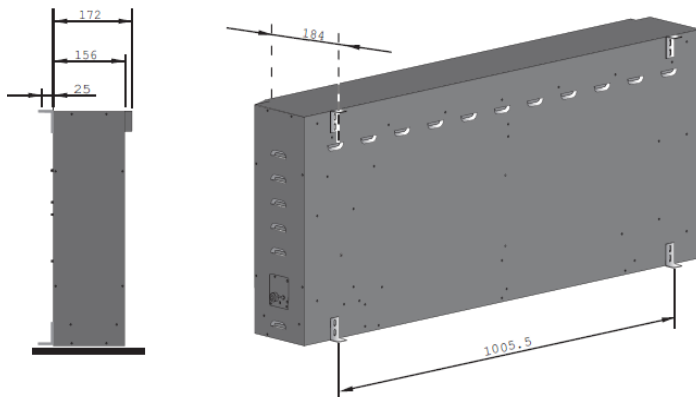
JUNE 2016

COMPILED BY JOHN T WILKINSON

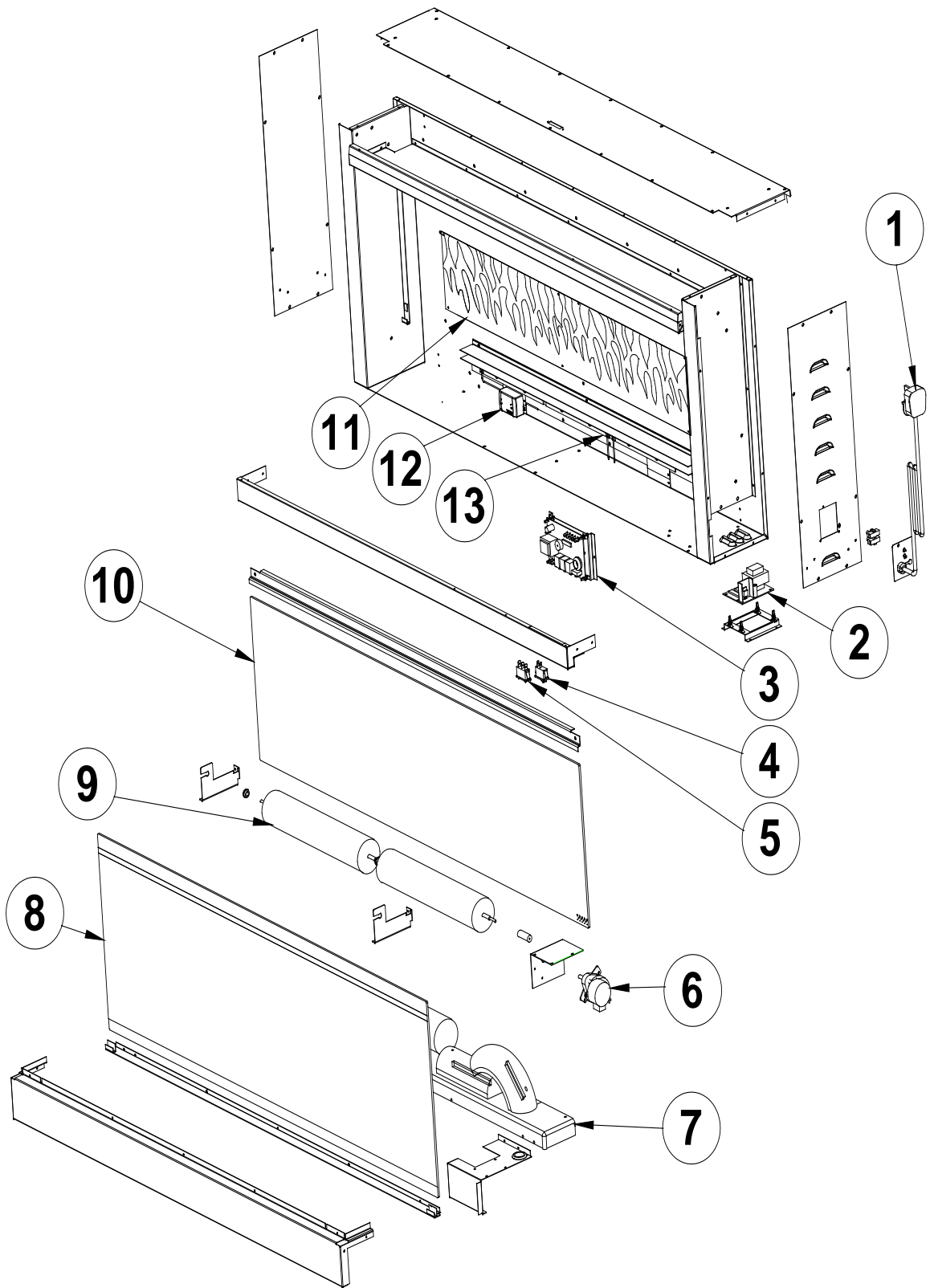
VEGA LED



VEGA LED



VEGA LED



VEGA LED

1. SP04/18636/0 TERMINAL BRACKET ASSEMBLY
2. SP03/22274/0 LED LOG DRIVER PCB
3. SP04/18679/0 PCB BOARD ASSEMBLY
4. SP03/21056/0 ON/OFF SWITCH
5. SP03/21612/0 INRUSH SWITCH
6. SP04/18627/0 GEARED MOTOR ASSEMBLY
7. SP04/18629/0 FUEL BED ASSEMBLY
- 8a SP01/66389/0 FRONT GLASS UNBRANDED
- 8b SP81/66389/0 FRONT GLASS PRINTED FABER
- 9 SP03/21929/0 ROTISSERIE
- 10 SP01/66384/0 INNER GLASS
- 11 SP21/66743/0 REFLECTOR
- 12 SP01/70520/0 LED DRIVER
- 13 SP02/62112/0 LED BOARD

VEGA LED

